

Solvent Vapor Exit Accessory

(HP part no. G2399-60500)

Description	HP Part No.	Qty.
1. SVE valve/fitting assembly	G2399-60570	1
2. Valve jumper cable	G2399-60550	1
3. Mach. screw, M4 x 0.7	0515-2755	1
NS SVE software kit	G2399-60580	1
NS SVE calculator SW disk	G2399-80010	1
NS SVE manual-Installation & Operation	G2399-90110	1
NS SVE Tri-column assembly	G2399-60520	1
NS Union SS 1/16-inch tubing	0100-0124	1
NS Chemical sample ECD kit	18713-20400	1
NS 1/16-inch tube SS 560 mm	18900-20400	1
NS Graphite ferrule (2/pk)	(5062-3505 2/pk)	1
NS 320 μ m graphite/vespel ferrule	(5062-9525 1/ea.)	1
NS 0.4 mm, 200, 250 μ m ferrule	(5062-9526 1/ea.)	1
NS Bleed column, 50 μ m, 2M	G2399-20510	1
NS Valve driver cable	G2399-60530	1
NS Unboxed HP-5MS 30 m, 0.25 mm, 0.2	19191S-433A	1
NS Column nut	5181-8830	1
NS SVE pre-column assembly	G2399-60510	1

*Also refer to the *Analytical Columns and Supplies Catalog*.

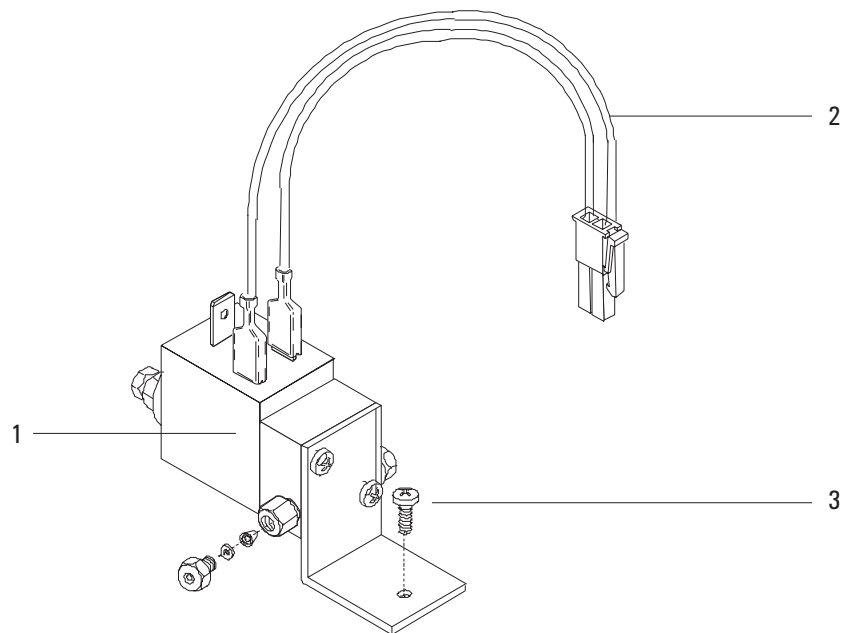


Figure 1310-17 Solvent Vapor Exit Accessory